

WILD008 - Log Amphitheatre - Two Tier



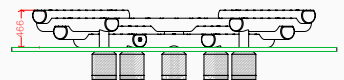
Product Features

- Laminated & Tanalised redwood timber
- Zinc plated fixings
- 15 Year timber guarantee
- Great for encouraging social interaction
- Can be used as a balance trail
- Lower and higher versions available with upto 3 tiers of seats

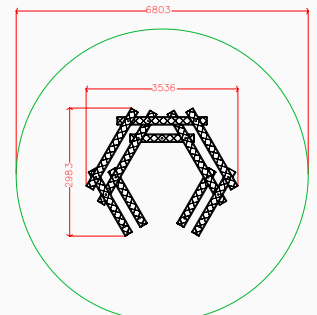
Product Information

	Under 5	5 - 7	7 - 11	11 - 16	Over 16
Intended age range	<input checked="" type="radio"/>	<input checked="" type="radio"/>	<input checked="" type="radio"/>	<input checked="" type="radio"/>	<input checked="" type="radio"/>
Free fall height	n/a				
Minimum surfacing area (if applicable)	n/a				
Minimum space required (length x width)	6303mm x 6303mm				
Dimension of largest part (length x width)	2450mm x 200mm				
Mass of heaviest part (kg)	33.81				
Wheelchair accessible	No				
Spare part availability	2-4 Weeks				
Minimum persons required for assembly	2				

Side elevation



Plan elevation





Interlocking hatched-top timber beams

